

TEKLAB Industrial Shunts are used for measuring current in DC applications by connecting them to moving coil panel meters, digital meters or other measurement devices. Shunts can also be used in control devices such as power supplies and battery chargers or for overload protection.

TEKLAB Industrial Shunts are Highly accurate manganin resistance DC shunts. When a current is passed through the shunt, a proportional millivolt output is produced.

RANGES AND OUTPUT

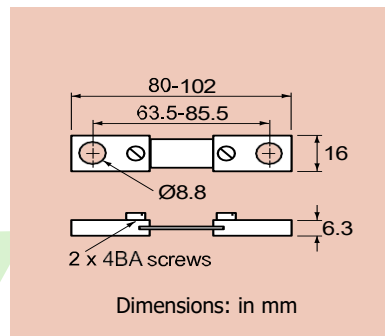
RANGE	Current	Output
Standard brass ended	5-10000A	50-300mV
Compact brass ended	5-50A	25-100mV
Plate (standard and compact)	50-500A	50-100mV
Wire	300mA-60A	50-100mV

TECHNICAL SPECIFICATIONS

Accuracy Class	1.5, 1.0, 0.5 or 0.25
Outputs	25-300mV
Overloads (brass ended):	Continuous - 1.2 x rated current 5 seconds - 5 x rated current up to 2kA 5 seconds - 2 x rated current for 2kA - 10kA
Temperature Co-efficient	0.002% per °C between 25°C to +80°C
Ambient Temperature	-25°C to +65°C
Insulation	Shunts are supplied un-insulated & protection against contact should be installed where applicable.
Standards:	BS89 / IEC51

I. COMPACT BRASS ENDED

Our Compact Brass Ended Shunts are often requested for special applications due to the small size. Manufactured to BS89/IEC51 class1 they can be current rated from 5-50A, with 25,50,60,75 or 100mV Output



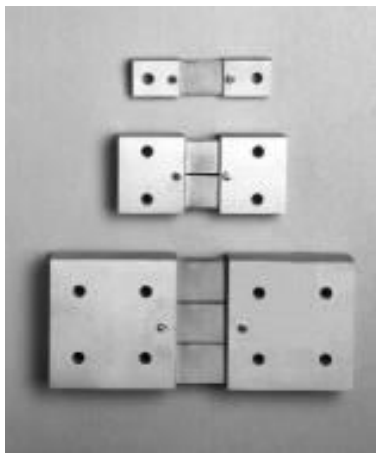
Operating Temperature: -25°C to +65°C

Order Example: A compact brass ended shunt with 50A rated current and 60mV output is:

TL50A60-COMPACT.

II. STANDARD BRASS ENDED

Our standard range of BS89/IEC51 class1 or class_0.5 shunts can be current rated from 5 to 10,000A with 50 to 300mV output.



Operating Temperature: -25°C to +65°C

Permissible Overload:

Continuous - 1.2 x rated current

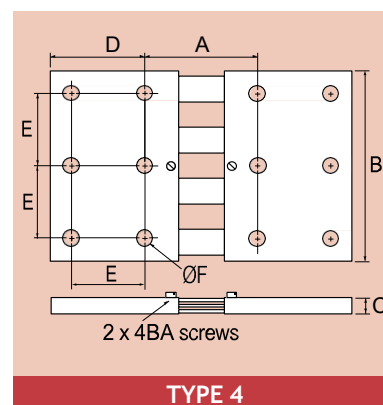
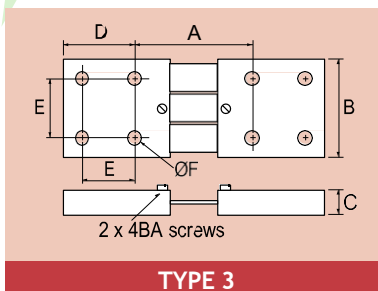
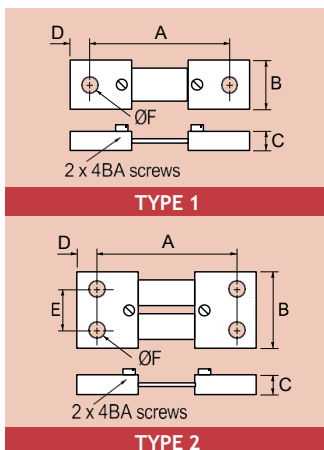
5 seconds - 5 x rated current up to 2kA

10 seconds - 2 x rated current for 2kA-10kA

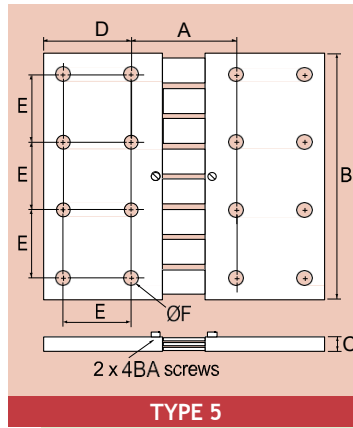
Shunt Leads: Millivolt leads can be supplied upon request (standard length = 760mm)

Order Example: A brass ended shunt with 1000A rated current and 100mV output, class1 is:

TL1000A100-CLASS1



Dimensions in mm

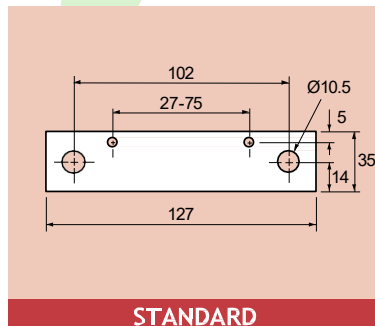


Dimensions in mm

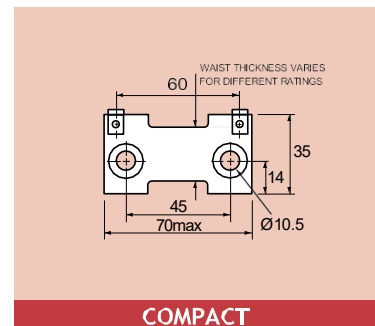
		Dimensions (mm)												
		A								B	C	D	E	F
Current (A)	Type	50m V	60m V	75m V	100m V	150 mV	200m V	250 mV	300m V					
5-35	1	95	95	95	114	114	172	172	267	22	10	11	-	7
40-200	1	95	95	95	114	114	172	172	267	32	12	13	-	10
250-400	1	95	95	95	114	121	172	172	267	32	20	25	-	10
450-1600	2	95	95	95	114	121	172	172	267	67	25	25	41	10
1800-3250	3	95	95	95	114	121	172	-	-	111	38	81	57	10
3500-5000	3	83	83	95	114	121	-	-	-	140	38	114	90	12
5500-7000	4	83	83	96	-	-	-	-	-	230	38	114	90	12
7500-10000	5	83	83	96	-	-	-	-	-	320	38	114	90	12

III. PLATE (STANDARD & COMPACT)

An economical range of shunts, manufactured to class 1.5.



STANDARD



COMPACT

Dimensions in mm

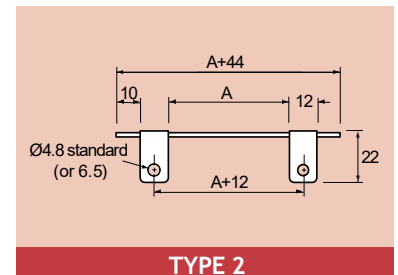
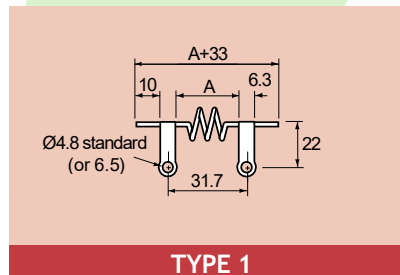
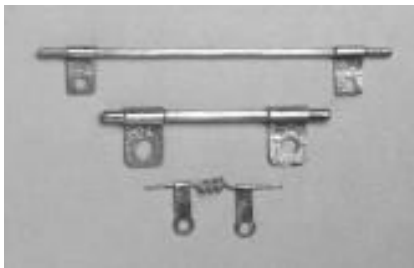
Operating Temperature: -25°C to +65°C.

Shunt Leads: Millivolt leads can be supplied upon request (standard length = 760mm).

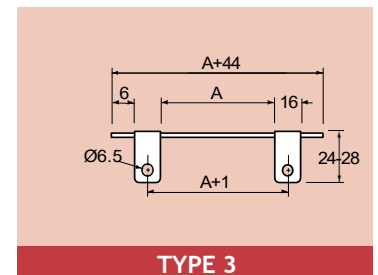
STANDARD	COMPACT
50A to 500A rated current with 50, 60, 75 or 100mV output available. 6.3mm Fast on Tags (T) or Tapped 4BA Bushes (B) can be supplied.	75A to 500A rated current with 50, 60 75 or 100mV output available. 6.3mm Fast on Tags as standard.
Order example: A standard plate shunt 125A 75mV output with bush connections is: TL125A75-BUSH.	Order example: A compact plate shunt 300A 60mV output is: TL300A60-COMPACT.

IV. WIRE

A range of shunts designed mainly for low current applications, manufactured to class 1.5.



		Dimension A (mm)			
Current(A)	Type	50mV	60mV	75mV	100mV
300mA-3A	1	25	25	25	25
4	2	51	62	78	104
5	2	62	75	98	81
6	2	52	62	81	72
7.5	2	41	50	62	82
8	2	52	63	79	105
10	2	81	97	80	107
12	2	68	81	67	70
15	2	55	66	83	110
20	3	58	51	62	82
25	3	51	40	49	66
30	3	56	51	64	85
35	3	49	61	80	100
40	3	41	53	66	88
50	3	35	43	53	71
60	3	29	35	44	59



Operating Temperature: -25°C to +65°C.

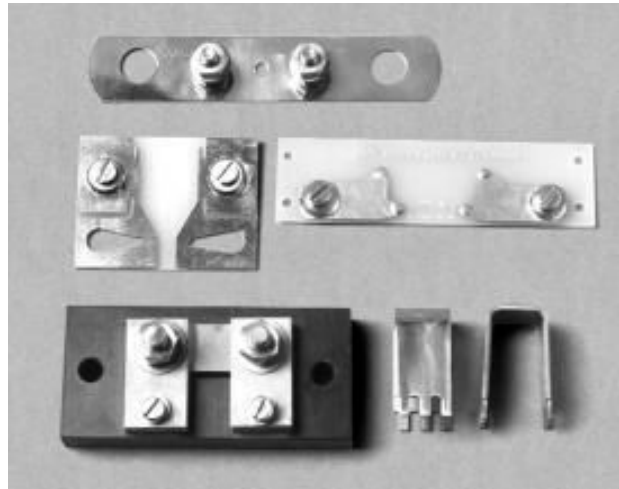
Shunt Leads: Millivolt leads can be supplied upon request (standard length = 760mm).

300mA to 60A rated current with 50, 60, 75 or 100mV output available.

Order example: A wire shunt 6A rated current and 60mV output is: **TL6A60**

V. **SPECIAL SHUNTS**

The products detailed in this publication are our standard range, but for quantity orders, TEKLAB engineers will be pleased to work with customers to design individual shunts to their specifications.



Base Mounted Shunts:

Base mounted insulated shunts can be manufactured to order.

PCB Mounting Shunts:

PCB mounting shunts are designed and manufactured to order, for UPS systems applications.

DIN Shunts to DIN 43703:

TEKLAB can supply D.C. shunts to standard DIN dimensions according to DIN 43703.

A separate dimensional sheet is available on request

